



LEVER BLOCK LB

The extensive range of Global Lever Blocks feature superior quality at an affordable price. They are suitable for applications in the mining, construction, transport and automotive industry. The Global Lever Block uses the latest technology to ensure a higher quality design, operator safety and longer service life.

FEATURES

- All Global models are manufactured to comply with AS1418.2
- "T" type latch for improved load holding integrity (except for the 250kg capacity)
- New design double pawl safety springs to eliminate sticking
- New style cast hand wheel for added strength and durability
- Encapsulated bearings and side plate bearings for smoother operation
- Key internal components are machined before being heat-treated and toughened
- No aluminum content which ensures suitability for mining applications
- Overall better design and improved finish to prolong life expectancy



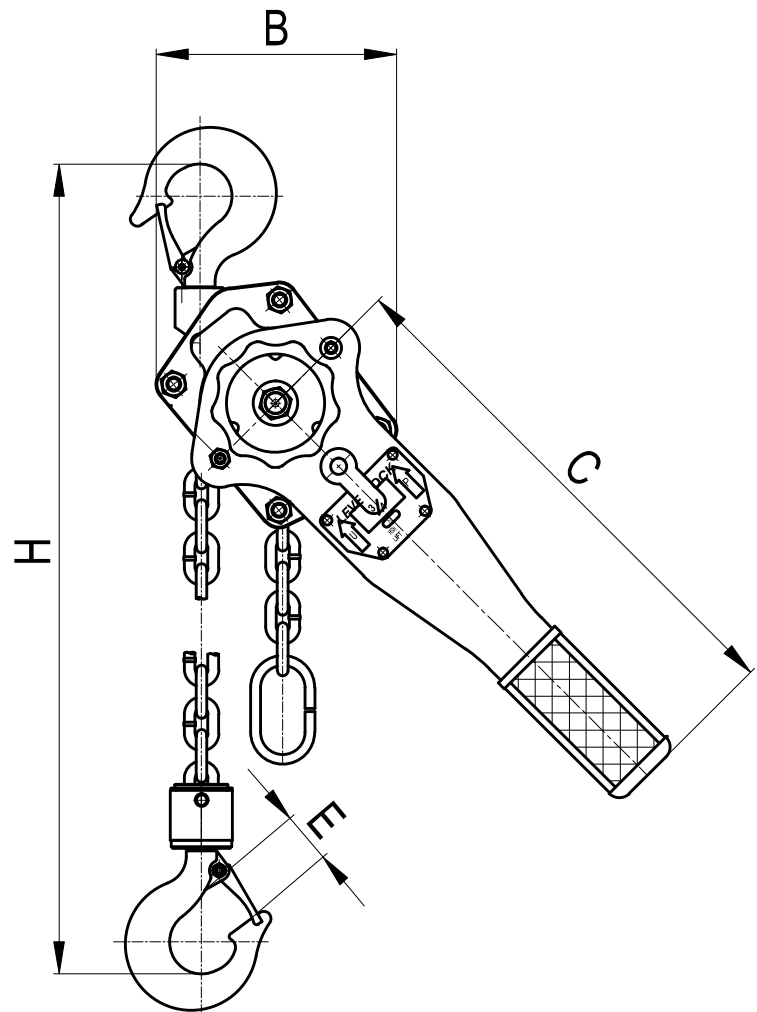
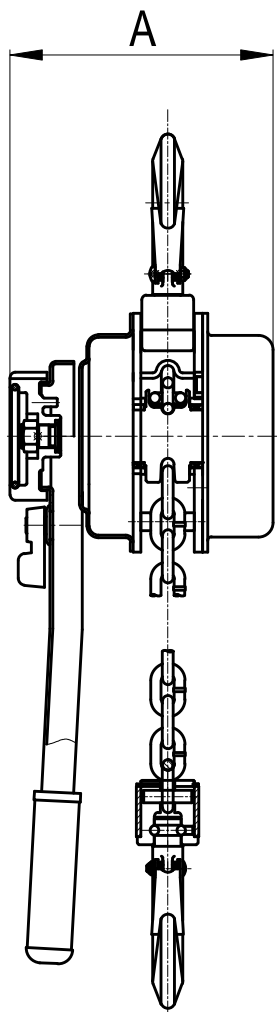
Imported exclusively for the Global Lifting Group by Pacific Hoists Indent Pty. Ltd.

SPECIFICATIONS

Model	GLLB025	GLLB050
Rated load (T)	0.25	0.50
Test load (T)	0.375	0.75
Standard lift (m)	1.5	
Min. distance between two hooks (mm)	205	260
Efforts required at capacity (N)	217	303
No. of load chains (mm)	1	
Load chain size (mm)	4X12	5X15
A	92	110
B	75	82
C	205	260
H	153	261
E	17	23
Net weight (kg)	1.85	4.6

3 meter height of lift available in every model

SPECIFICATIONS



SPECIFICATIONS

Model	GLVL080	GLVL160
Rated load (T)	0.8	1.6
Test load (T)	1.125	2.25
Standard lift (m)	1.5	1.5
Min. distance between two hooks (mm)	295	335
Efforts required at capacity (N)	140	234
No. of load chains (mm)	1	
Load chain size (mm)	6X18	7.1X21
A	152	175
B	128	148
C	295	335
H	256	368
E	26	30
Net weight (kg)	7.7	10.6

Model	GLVL320	GLVL630	GLVL900
Rated load (T)	3.2	6.3	9
Test load (T)	4.5	9	13.5
Standard lift (m)	1.5		
Min. distance between two hooks (mm)	450	615	720
Efforts required at capacity (N)	363	370	375
No. of load chains (mm)	1	2	3
Load chain size (mm)	10X30		
A	195		
B	181	232	366
C	450	615	720
H	368		
E	34	47	64
Net weight (kg)	20	28	46

3 meter height of lift available in every model

SPECIFICATIONS

