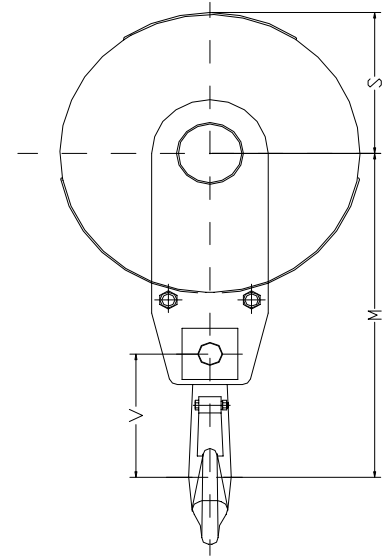
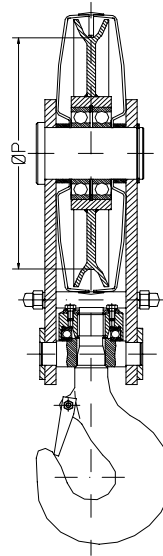


Hook Block Single Sheave



PART NO	WEIGHT		GENERAL DIMENSIONS						DRIVE GROUPS & LOADS (KG)					
	(kg)	Hook Num.	Rope Diam.	ØP	D	V	M	S	1Bm M3	1Am M4	2m M5	3m M6	4m M7	5m M8
99046	12	0.8	7	160	-	120	285	105	2000	1600	1250	1000	800	630
99047	20	1.6	10	200	-	140	345	131	4000	3200	2500	2000	1600	1250
99048	36	2.5	15	280	-	155	435	180	6300	5000	4000	3200	2500	2000
99049	79	5	16	355	-	195	520	223	12500	10000	8000	6300	5000	4000
99050	126	6	22	450	-	240	631	274	16000	12500	10000	8000	6300	5000

NOTE: Hooks assembled in these blocks are forged hooks according to DIN 15401 standard (Material: Ste 355).