

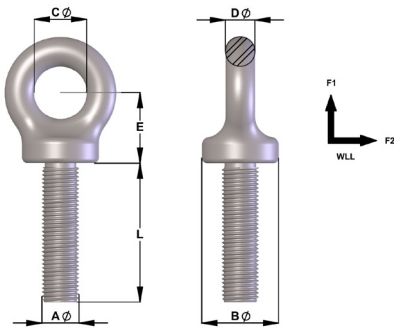
Grade-4 Eyebolts Long Shanks AS2317

Product Description

- Manufactured using only heat certified Australian Steel
- Long shanks and special thread forms made to order.

Available on Request:

- Special Thread Forms and long shanks
- Hot Dip Galvanizing
- Zinc Passivating
- Chrome Plating
- Powder Coating
- Testing and Certification



Townley Drop Forge is both NATA Accredited (Test Lab No. 13554) and AS/NZS ISO9001 Certified (Certificate number FS 604897).

Imperial AØ	Metric AØ	WLL F1	WLL F2	BØ	C	DØ	E	L
3/8"	M10	0.25t	0.06t	28	24	11	25	As required
1/2"	M12	0.4t	0.1t	28	24	11	25	As required
5/8"	M16	0.8t	0.2t	34	28	16	40	As required
3/4"	M20	1.6t	0.4t	44	32	20	44	As required
7/8"	M22	2.0t	0.5t	50	32	20	44	As required
1"	M24	2.5t	0.62t	57	38	22	48	As required
1 1/8"	M30	4t	1t	71	49	27	65	As required
1 1/4"	M33	5t	1.03t	71	49	27	65	As required
-	M36	6.3t	1.57t	87	53	35	73	As required
1 1/2"	M39	7t	1.75t	87	53	35	73	As required
1 3/4"	M42	8t	2t	102	66	40	90	As required
2"	M48	10t	2.5t	115	75	49	99	As required
2 1/4"	M56	15t	3.7t	143	97	56	124	As required
2 1/2"	M64	20t	5t	143	97	56	124	As required
3"	M76	30t	7.5t	163	106	66	140	As required

WLL (WORKING LOAD LIMIT)

Each eyebolt is clearly stamped with the permitted F2 WLL.

F2 WLL - indicates safe use for non-axial lifts.

F1 WLL - indicates loads which are in line with the axis of the threaded end of the eyebolt. F1 WLL allows up to four (4) times higher lifting capacity whilst maintaining a 4:1 design factor of safety.